

AISLE SHIELD

INSTALLATION INSTRUCTIONS



6146 DENVER INDUSTRIAL PARK RD DENVER NC 28037

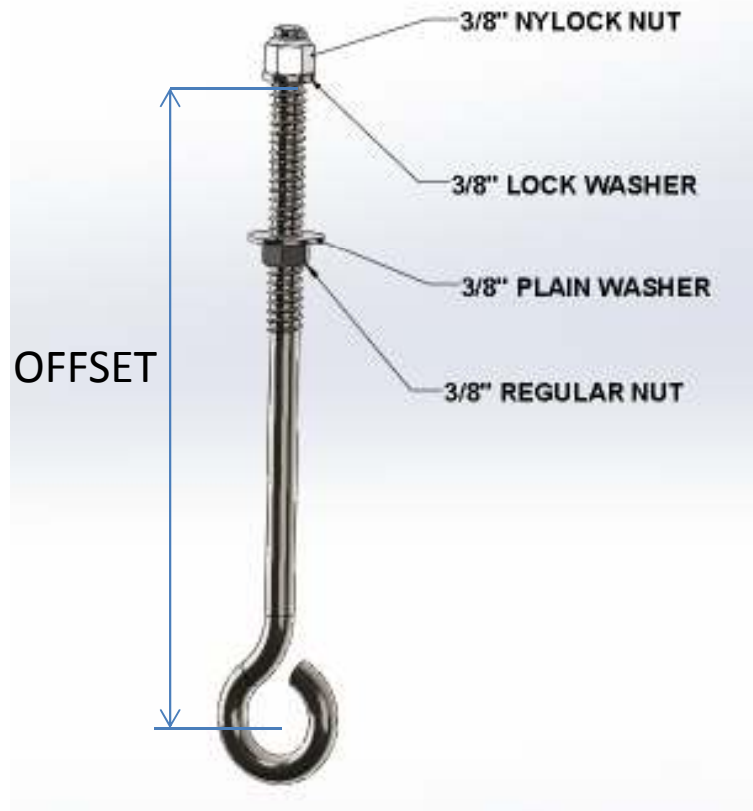
1-800-438-5629

WWW.HUSKYRACKANDWIRE.COM



INSTALLATION OF OFFSET MOUNT AISLE SHIELD

STEP 1: EYE BOLT ASSEMBLY



HARDWARE REQUIRED:

FOR 4' AND 5' TALL PANELS SIX (6) EYE BOLTS ARE REQUIRED PER PANEL.

FOR 3' TALL PANELS FOUR (4) EYE BOLTS ARE REQUIRED PER PANEL.

- TAKE ONE OF EACH EYE BOLT, 3/8" REGULAR NUT, 3/8" PLAIN WASHER, 3/8" LOCK WASHER AND 3/8" NYLOK NUT.
- INSERT REGULAR NUT, PLAIN WASHER, LOCK WASHER AND NYLOCK NUT RESPECTIVELY IN THAT ORDER AS SHOWN IN THE EYEBOLT PICTURE TO THE LEFT.
- MEASURE DESIRED OFFSET DISTANCE USING TAPE MEASURE. MEASURE FROM BOTTOM OF THE LOCK WASHER TO CENTER OF THE EYE BOLT. USE WRENCH TO TURN THE NYLOCK NUT TO ACHIEVE DESIRED OFFSET.

INSTALLATION OF OFFSET MOUNT AISLE SHIELD

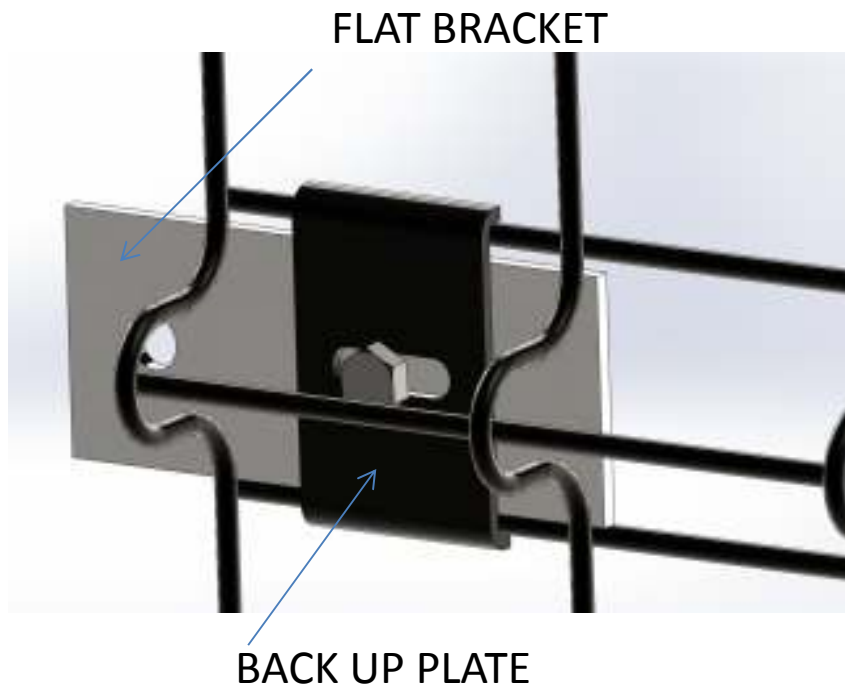
STEP 2: ATTACH PANEL TO THE RACK



- AS SHOWN IN THE PICTURE, INSERT ALL EYE BOLTS ONTO THE PANEL AT THE JUNCTION OF THE UPPER CURVE OF THE REINFORCING FLUTE AND THE UPPERMOST OF THE THREE WIRES. THE EYEBOLT MUST SIT UNDERNEATH THE HORIZONTAL WIRE, AND THE GAP IN THE EYE BOLT MUST FACE OUTWARD FROM THE PANEL.
- WITH ONE PERSON ON EACH END OF THE PANEL, LIFT THE PANEL TO ATTACH TO THE RACK POST.
- INSERT THE TOP EYE BOLTS IN THE DESIRED HOLES ON THE RACK POST. KEEPING THE LOCK WASHER AND NYLOCK NUT INSIDE OF THE RACK POST.
- HAND TIGHTEN THE REGULAR NUT FROM THE OUTSIDE, AGAINST THE RACK POST.
- COMPLETE ASSEMBLY OF ALL EYE BOLTS TO THE RACK POST.
- ONCE ALL EYE BOLTS ARE ATTACHED, TIGHTEN THE NUTS USING A WRENCH.

INSTALLATION OF FLUSH MOUNT AISLE SHIELD

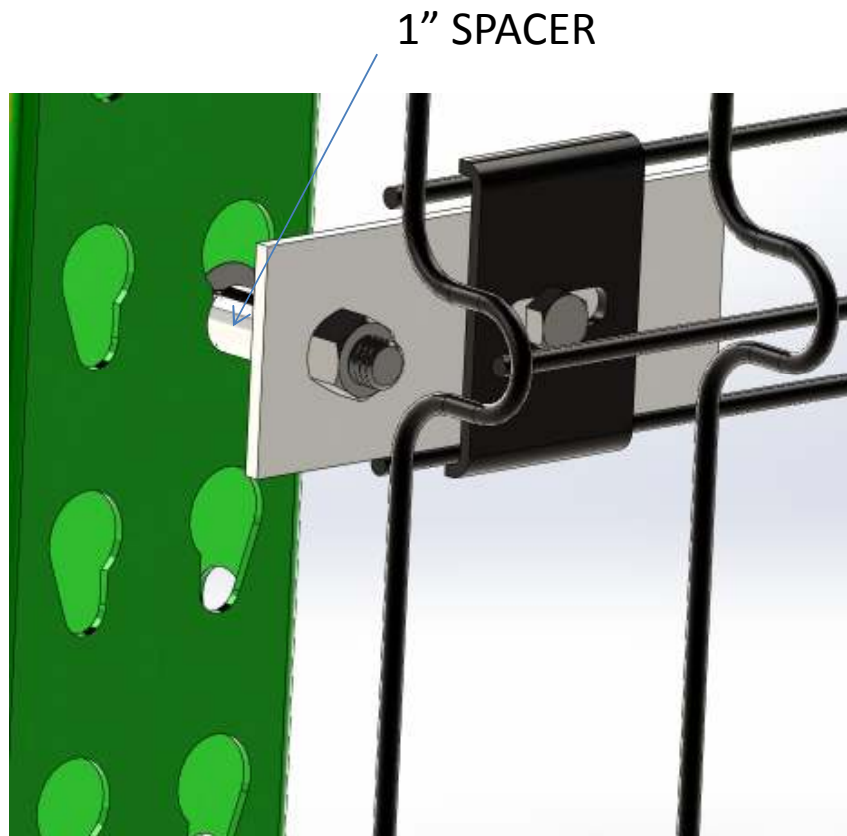
STEP 1: ATTACH FLAT BRACKETS TO THE PANEL



- MATERIAL REQUIRED:
FOR 4' AND 5' TALL PANELS SIX (6) SETS OF HARDWARE IS REQUIRED PER PANEL.
FOR 3' TALL PANELS FOUR (4) SETS OF HARDWARE IS REQUIRED PER PANEL.
 - FLAT BRACKET 1 $\frac{3}{4}$ " WIDE X 5 $\frac{1}{2}$ " LONG WITH TWO HOLES
 - SLOTTED BACK-UP PLATE
 - $\frac{1}{4}$ " X $\frac{3}{4}$ " HEX HEAD BOLT & $\frac{1}{4}$ " NUT
 - $\frac{3}{8}$ " X 2" CARRAIGE BOLT & $\frac{3}{8}$ " NUT
 - 1" SPACER
- AS SHOWN IN THE PICTURE, ATTACH THE FLAT BRACKET TO THE PANEL USING BACK-UP PLATE AND $\frac{1}{4}$ " BOLT AND NUT
- ATTACH ALL PROVIDED FLAT BRACKETS TO THE PANEL AT THE REINFORCING FLUTES OF THE PANEL.

INSTALLATION OF FLUSH MOUNT AISLE SHIELD

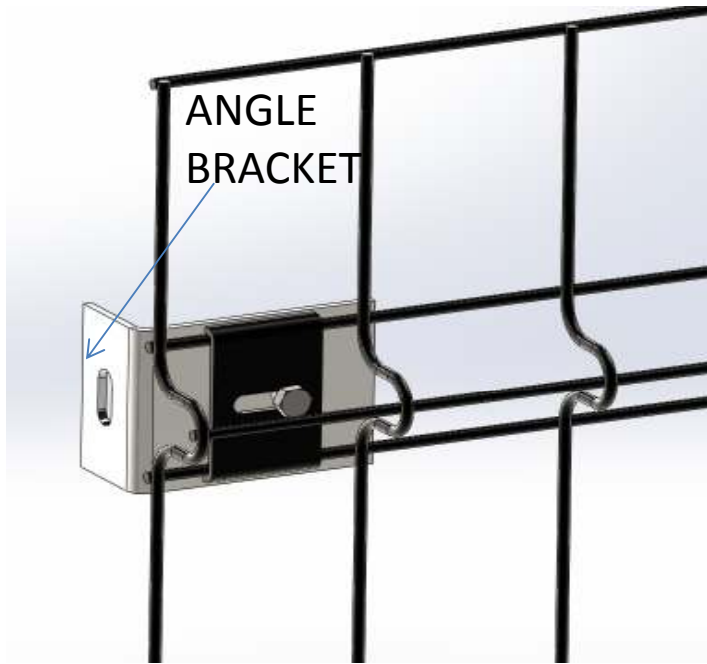
STEP 2: ATTACH PANEL TO THE RACK



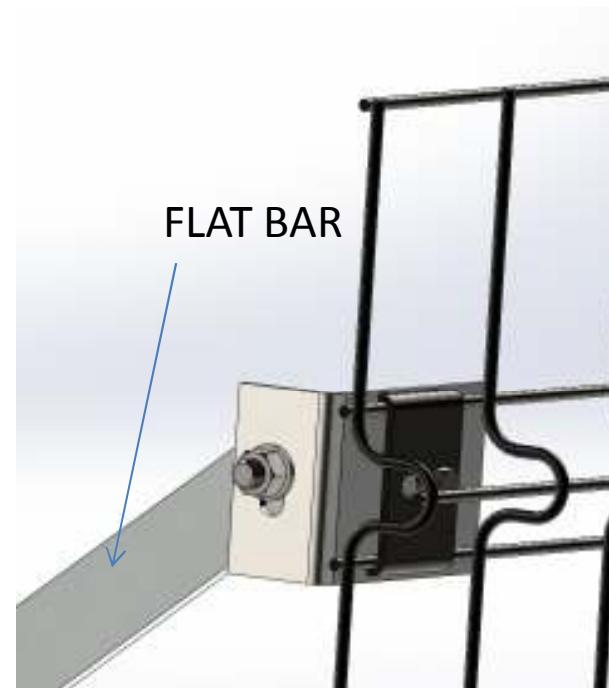
- ATTACH THE 3/8" CARRIAGE BOLT TO THE OTHER END OF THE FLAT BRACKET. USE 1" PLASTIC SPACER BETWEEN THE BRACKET AND RACK POST.
- ATTACH 3/8" BOLTS TO ALL OF THE FLAT BRACKETS PROVIDED.
- WITH ONE PERSON ON EACH END OF THE PANEL, LIFT THE PANEL TO ATTACH TO THE RACK POST.
- INSERT THE HEAD OF THE BOLT THROUGH THE UPRIGHT POST HOLE.
- TIGHTEN THE 3/8" NUT USING A WRENCH.

INSTALLATION OF EXTENDED AISLE SHIELD

STEP 1: ATTACH ANGLE BRACKET AND FLAT BAR



ATTACH ANGLE BRACKETS TO THE AISLE SHIELD PANEL AT THE TOP REINFORCING FLUTES ON EACH SIDE USING $\frac{1}{4}$ " BOLT AND NUT AS SHOWN IN THE ABOVE PICTURE. DO THIS FOR BOTH SIDES OF THE PANEL.



ATTACH FLAT BARS TO THE ANGLE BRACKETS ON EACH SIDE USING $\frac{3}{8}$ " BOLT AND NUT AS SHOWN IN THE PICTURE ABOVE.

INSTALLATION OF EXTENDED AISLE SHIELD

STEP 2: ATTACH FLAT BAR TO THE RACK POST

- ATTACH THE OTHER END OF THE FLAT BAR TO THE RACK POST USING 3/8" BOLT AND NUT.
- NOTE: FOR FLUSH MOUNT RACK GUARD, THE FLAT BAR IS ATTACHED TO THE POST THAT IS AWAY FROM THE AISLE SHIELD PANEL. FOR OFFSET MOUNT AISLE SHIELD, THE FLAT BAR IS ATTACHED TO THE NEAREST POST TO THE AISLE SHIELD PANEL.



